

LIMPAR®



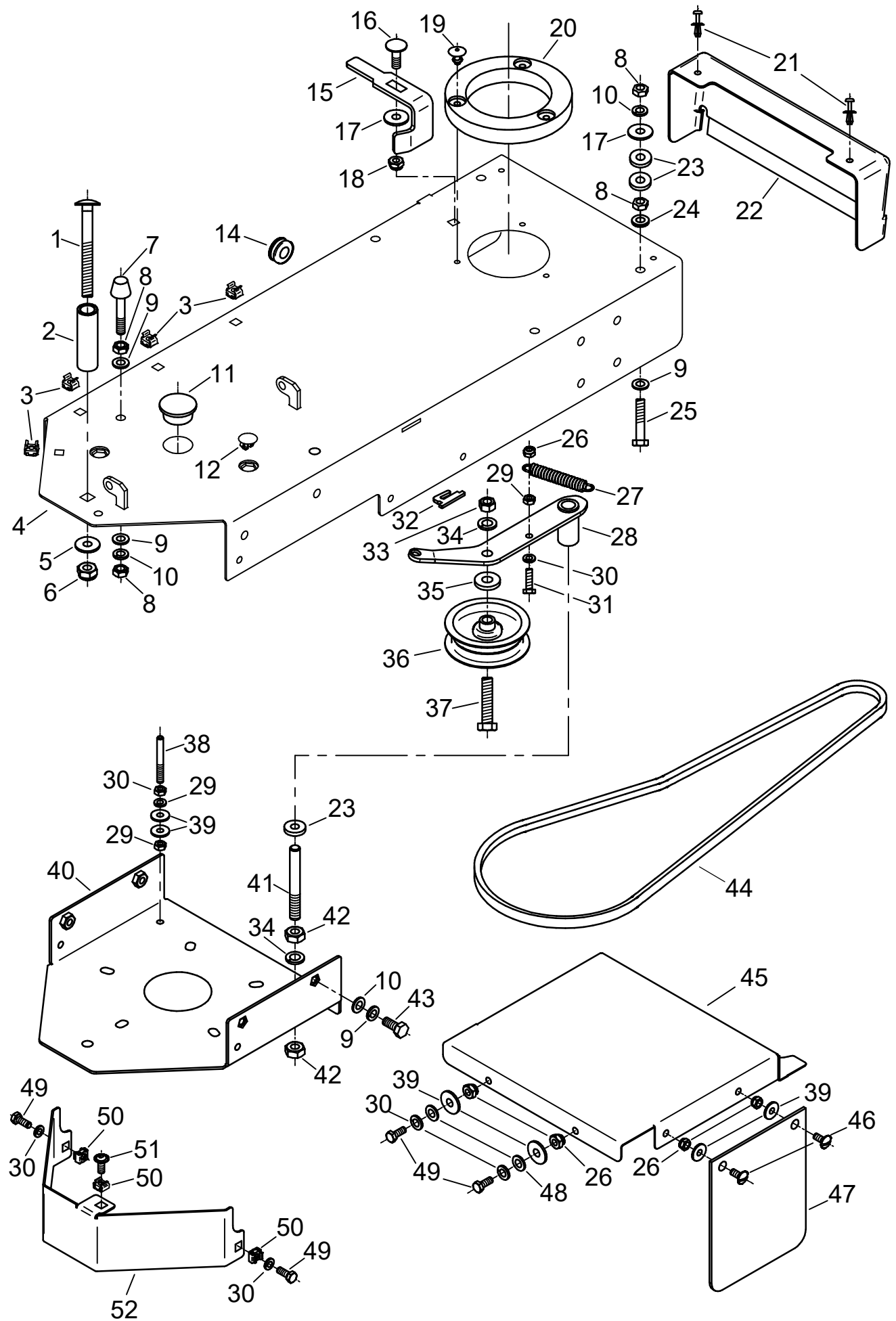
Ersatzteilliste

Wildkrautbürste

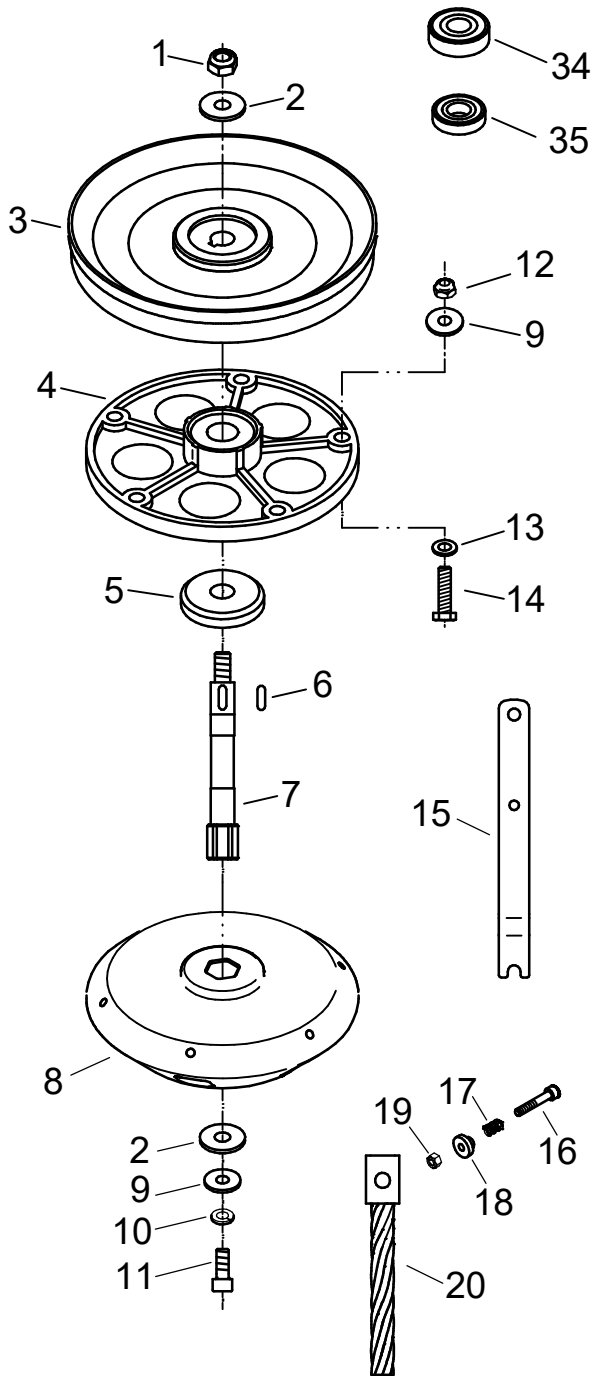
TURBO IV

4F Maschinenteknik GmbH / Am Gasspeicher 6 / 49453 Rehden
Fon: 05446 / 99 70 40, Fax: 05446 / 99 70 42, E-Mail: info@4-f.de

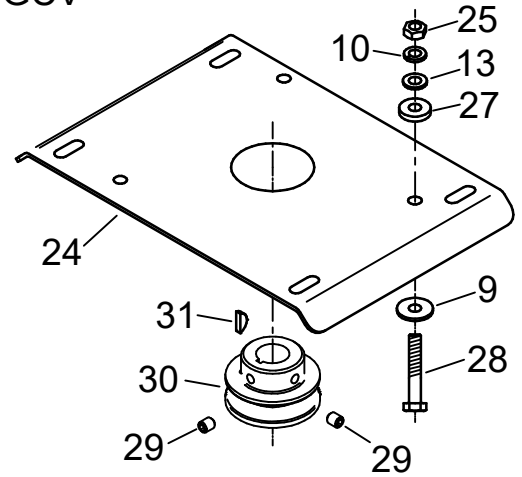
www.limpar.de



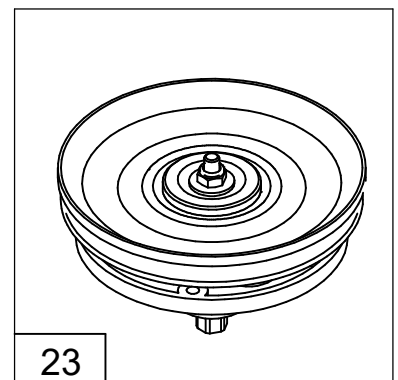
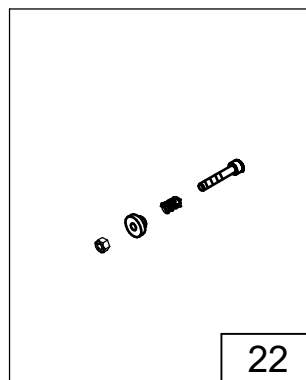
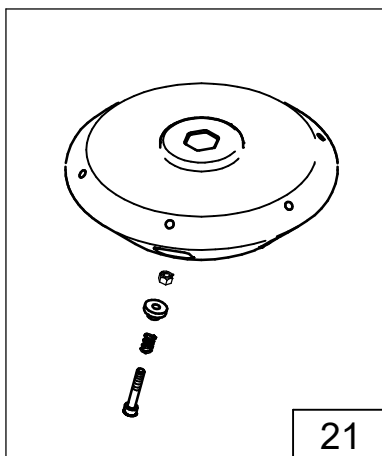
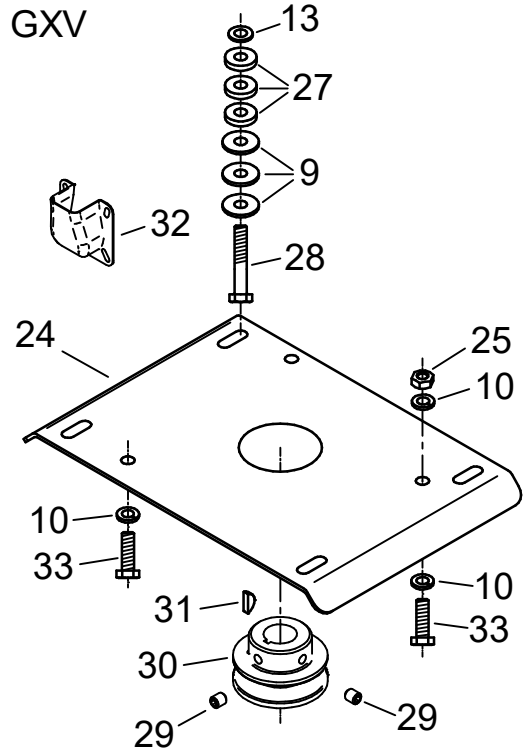
| Pos. | Artikel-Nr. | Bezeichnung | Pos. | Artikel-Nr. | Bezeichnung |
|------|-------------|---------------------------|------------------------------------|-------------|------------------------|
| 1 | 4HO-i78 Z | Flachrundschr. M10x90 | 38 | 4KC-B105 | Führung M6x53 |
| 2 | 4DM-B26 Z | Distanzrohr 13-68 | 39 | 4HW-B06 Z | Scheibe, groß Ø6,3 |
| 3 | 4HR-i61 | Käfigmutter M6 | 40 | FWK-101 Z | Bü-Kopf-Träger WK |
| 4 | FWK-100 R | Gehäuse WK | 41 | 4KC-B106 | Führung M10x86 |
| 5 | 4HW-B10 Z | Scheibe, groß Ø10,5 | 42 | 4HR-A10 Z | Mutter M10 |
| 6 | 4HR-C10 Z | Stoppmutter M10 | 43 | 4HO-A14 Z | 6kt.-Schraube M8x20 |
| 7 | 4KC-A141 | Spindel - Puffer | 44 | 4HB-F62 | Keilriemen 1335 Lp |
| 8 | 4HR-A08 Z | Mutter M8 | 45 | 4DA-A72 Z | Bodenblech Wk 900 |
| 9 | 4HW-A08 Z | Scheibe Ø8,4 | 46 | 4HO-S44 Z | Bordwandschr. M6x15 |
| 10 | 4HW-F08 Z | Federring M8 | 47 | 4HK-E51 | Vorhang WB2 |
| 11 | 4HJ-B45 | Stopfen Ø28,4 | 48 | 4HW-A06 Z | Scheibe Ø6,3 |
| 12 | 4HJ-B44 | Universalstopfen ASB | 49 | 4HO-A08 Z | 6kt.-Schraube M6x16 |
| 13 | | | 50 | 4HR-i06 V | Käfigmutter M6 |
| 14 | 4HK-D05 | Kabel - Tülle 12 | 51 | 4KC-A118 | Bundschraube i6k M6x16 |
| 15 | 4DA-G238 Z | K-Stütze WK R | 52 | 4DA-C196 Z | Abschluß vo WK |
| 16 | 4HO-i15 Z | Flachrundschr. M8x25 | | | |
| 17 | 4HW-B08 Z | Scheibe, groß Ø8,4 | | | |
| 18 | 4HR-C08 Z | Stoppmutter M8 | | | |
| 19 | 4HY-B05 S | Blindniete, lang | | | |
| 20 | 4HJ-K04 | Sandring WK | | | |
| 21 | 4KC-A54 | Schraubniete 5 | | | |
| 22 | 4HJ-X20 | Abschluß FKU | | | |
| 23 | 4HW-D08 Z | Scheibe, dick Ø8,4 | | | |
| 24 | 4KC-A132 Z | Nordlock-Scheibe | | | |
| 25 | 4HO-A18 Z | 6kt.-Schraube M8x40 | | | |
| 26 | 4HR-C06 Z | Stoppmutter M6 | | | |
| 27 | 4Hi-A02 | Rückholfeder | | | |
| 28 | FWK-106 Z | Sparoarm Wk9 | | | |
| 29 | 4HR-A06 Z | Mutter M6 | | | |
| 30 | 4HW-F06 Z | Federring M6 | | | |
| 31 | 4HO-A09 Z | 6kt.-Schraube M6x20 | | | |
| 32 | 4DA-F305 Z | Federhaken | | | |
| 33 | 4HR-A51 Z | Zollmutter | | | |
| 34 | 4HW-F10 Z | Federring M10 | | | |
| 35 | 4HW-D10 Z | Scheibe, dick Ø10,5 | | | |
| 36 | 4AZ-206 | Spannrolle C2 | | | |
| 37 | 4HO-M53 Z | Zollschr. 3/8 UNF x1 3/4" | 4KE-WM Änd-Stand: f-September-2023 | | |



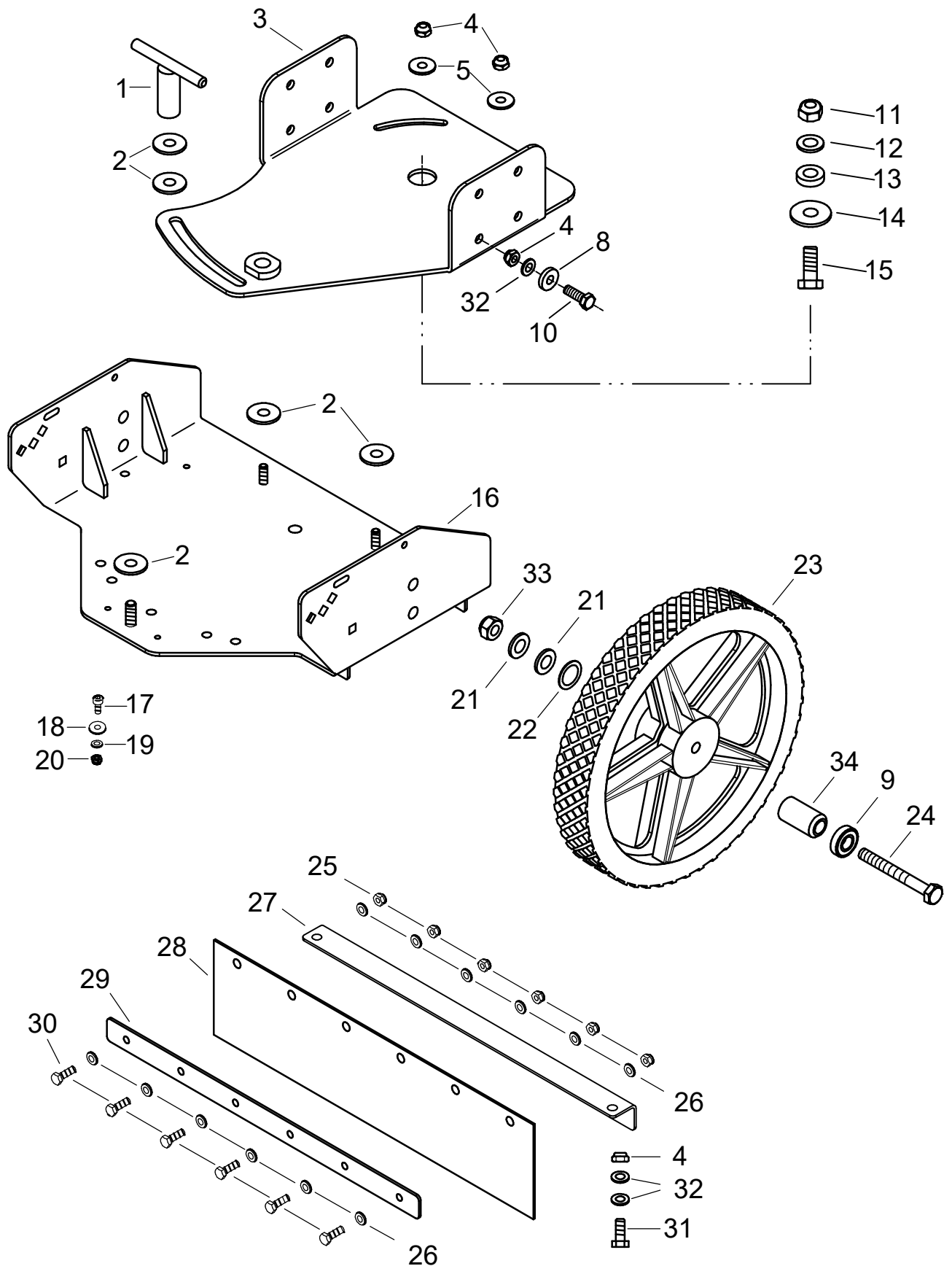
GCV



GXV



| Pos. | Artikel-Nr. | Bezeichnung | Pos. | Artikel-Nr. | Bezeichnung |
|------|-------------|------------------------------|------------------------------------|-------------|-------------|
| 1 | 4HR-C10 Z | Stoppmutter M10 | | | |
| 2 | 4HW-B10 Z | Scheibe, groß Ø10,5 | | | |
| 3 | 4AZ-A121 Z | KR-Scheibe Wk9v | | | |
| 4 | 4KC-A115 | Spindelgehäuse (inkl. 34+35) | | | |
| 5 | 4DC-T09 | Lagerkappe | | | |
| 6 | 4KH-P05 | Passfeder 5-5-16 | | | |
| 7 | 4DS-E02 | BK-Welle | | | |
| 8 | 4KK-A40 | Bürstenkopf 180 | | | |
| 9 | 4HW-B08 Z | Scheibe, groß Ø8,4 | | | |
| 10 | 4HW-F08 Z | Federring M8 | | | |
| 11 | 4HO-G14 Z | Inbusschr. M8x20 | | | |
| 12 | 4HR-C08 Z | Stoppmutter M8 | | | |
| 13 | 4HW-A08 Z | Scheibe Ø8,4 | | | |
| 14 | 4HO-A16 Z | 6kt.-Schraube M8x30 | | | |
| 15 | 4DA-G193 Z | Hebel WB | | | |
| 16 | 4HO-G119 Z | Inbusschraube M5x30 | | | |
| 17 | 4Hi-B10 | Druckfeder | | | |
| 18 | 4DE-D03 Z | Klemmkopf WB | | | |
| 19 | 4HR-D05 Z | Stoppmutter M5 (Ganzmetall) | | | |
| 20 | 4KC-A117 | WK-Steckbüschel | | | |
| 21 | FWB-222 | Bürstenkopf WB 2 | | | |
| 22 | FWB-227 | Schrauben-Kopf Satz | | | |
| 23 | FWM-211 | Spindel WM, kpl. | | | |
| 24 | 4DA-E81 SK | M-Konsole H-3 | | | |
| 25 | 4HR-A08 Z | Mutter M8 | | | |
| 26 | | | | | |
| 27 | 4HW-D08 Z | Scheibe, dick Ø8,4 | | | |
| 28 | 4HO-C19 Z | 6kt.-Schraube M8x45 | | | |
| 29 | 4KC-A04 | Gewindestift M8x10 | | | |
| 30 | 4AZ-A03 | Keilriemenscheibe Motor Dw56 | | | |
| 31 | 4KH-S01 | Scheibenfeder 4x6,5 | | | |
| 32 | 4KA-H15 | Deflektor GX | | | |
| 33 | 4HO-M86 Z | Zollschr. 5/16" UNF x1" | | | |
| 34 | 4HA-i03 | Zoll-Lager 40 | | | |
| 35 | 4HA-i02 | Zoll-Lager 35 | | | |
| | | | | | |
| | | | 4KE-WM Änd-Stand: f-September-2023 | | |



| Pos. | Artikel-Nr. | Bezeichnung | Pos. | Artikel-Nr. | Bezeichnung |
|------|-------------|----------------------------|------------------------------------|-------------|-------------|
| 1 | 4AZ-148 Z | Knebel M10 | | | |
| 2 | 4HW-B10 Z | Scheibe, groß Ø10,5 | | | |
| 3 | FWF-101 SK | Motorkonsolenhalter WF | | | |
| 4 | 4HR-C08 Z | Stoppmutter M8 | | | |
| 5 | 4HW-B08 Z | Scheibe, groß Ø8,4 | | | |
| 6 | | | | | |
| 7 | | | | | |
| 8 | 4HW-D08 Z | Scheibe, dick Ø8,4 | | | |
| 9 | 4HA-i01 | Zoll- Lager 29 | | | |
| 10 | 4HO-A15 Z | 6kt.-Schraube M8x25 | | | |
| 11 | 4HR-C12 Z | Stoppmutter M12 | | | |
| 12 | 4HW-A12 Z | Scheibe Ø13 | | | |
| 13 | 4DC-K33 | Scheibe Ø13 | | | |
| 14 | 4HW-B12 Z | Scheibe, groß Ø13 | | | |
| 15 | 4HO-A34 Z | 6kt.-Schraube M12x30 | | | |
| 16 | FWB-103 SK | Unterboden kpl. | | | |
| 17 | 4HO-G02 Z | Inbusschraube M5x12 | | | |
| 18 | 4HW-B05 Z | Scheibe, groß Ø5,2 | | | |
| 19 | 4HW-A05 Z | Scheibe Ø5,2 | | | |
| 20 | 4HR-C05 Z | Stoppmutter M5 | | | |
| 21 | 4HW-A12 Z | Scheibe Ø13 | | | |
| 22 | 4HW-P51 | Passscheibe Ø14x1,0 | | | |
| 23 | 4HN-G33 | Rad 350 WM | | | |
| 24 | 4HO-N82 Z | Zollschr. 1/2" UNC x3 1/2" | | | |
| 25 | 4HR-C06 Z | Stoppmutter M6 | | | |
| 26 | 4HW-A06 Z | Scheibe Ø6,3 | | | |
| 27 | 4DW-G03 Z | Winkel WB | | | |
| 28 | 4HK-E41 Z | Schutzleiste | | | |
| 29 | 4DB-L34 Z | Leiste WB | | | |
| 30 | 4HO-A09 Z | 6kt.-Schraube M6x20 | | | |
| 31 | 4HO-A14 Z | 6kt.-Schraube M8x20 | | | |
| 32 | 4HW-A08 Z | Scheibe Ø8,4 | | | |
| 33 | 4HR-C50 Z | Stoppmutter 1/2" UNC | | | |
| 34 | 4DE-N02 | Radhülse 13 | | | |
| | | | | | |
| | | | | | |
| | | | 4KE-WM Änd-Stand: f-September-2023 | | |

